

CPVC Pipe & Threaded Fittings

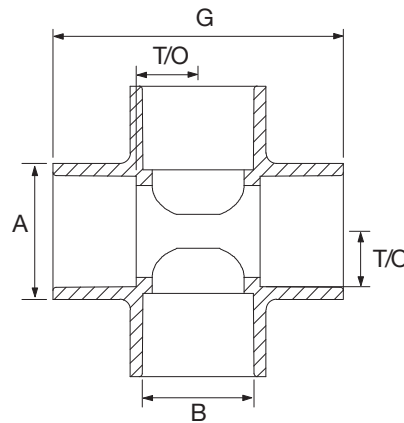
CPVC Fittings

Cross Equal



| | |
|----------------------------|--|
| Sizes | DN20 thru DN80 (3/4" thru 3") |
| Approvals | UL, C-UL Listed & FM, MEA, NSF, & LPCB Approved |
| Rated Pressure | 12,1 bar (175 psi) |
| Maximum Temperature Rating | 65°C (150°F). |
| Tech Data Sheet | TFP1915 and Installation Handbook - IH-1900 |

Manufactured with Lubrizol's BLAZEMASTER® compound ■ Produced from BlazeMaster® thermoplastic compound, RAPID RESPONSE CPVC fittings are designed exclusively for use in wet and dry pipe automatic fire sprinkler systems. ■ Our CPVC is easier to install than traditional steel components, while providing superior heat resistance and strength compared to traditional CPVC and PVC fitting materials.



| CPVC Cross Equal | | | | | | | | | | | |
|------------------|------|--------|------|------|--------|-----------|-------------------|----|----|-----|-----|
| Part No. | Size | | A mm | G mm | T/O mm | Weight kg | Approval Listings | | | | |
| | DN | In. | | | | | LPCB | FM | UL | MEA | NSF |
| 80009 | 20 | 3/4" | 33 | 70 | 15 | 0.059 | √ | √ | √ | √ | √ |
| 80010 | 25 | 1" | 40 | 84 | 18 | 0.104 | √ | √ | √ | √ | √ |
| 80011A | 32 | 1-1/4" | 50 | 95 | 23 | 0.154 | √ | √ | √ | √ | √ |
| 80012 | 40 | 1-1/2" | 59 | 125 | 27 | 0.304 | √ | √ | √ | √ | √ |
| 80013 | 50 | 2" | 72 | 145 | 33 | 0.454 | √ | √ | √ | √ | √ |
| 80014A | 65 | 2-1/2" | 89 | 171 | 39 | 0.866 | √ | √ | √ | √ | √ |
| 80008A | 80 | 3" | 106 | 192 | 46 | 1.311 | √ | √ | √ | √ | √ |